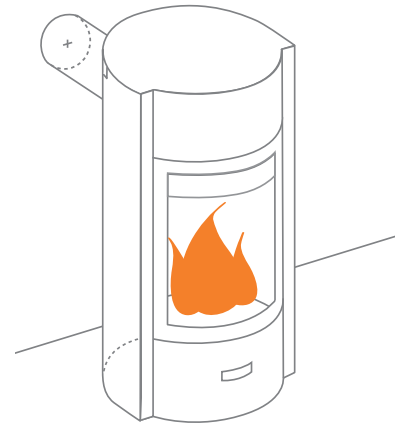


## 30 | The stove

stuv

<b>3 doors</b>	glass door, close door, open fire
<b>control of the fire</b>	precision control of combustion air
<b>air-tightness</b>	control over the distribution of combustion air; sweeping of the glass, no consumption of room air, no CO in the living room
<b>excellent efficiency</b>	even at half-power
<b>low pollutant levels</b>	low emission of CO and fine particles even at half-power
<b>outside air inlet</b>	at back or under the stove
<b>for traditional, energy-efficient and wood-framed homes</b>	✓
<b>150 or 180-mm smoke outlet</b>	at back or above
<b>turning plate</b>	integrated



## TECHNICAL SPECIFICATIONS

## GENERAL

TYPE OF SYSTEM	stove
MATERIALS	steel + refractors
COLOUR	Stuv grey
LOADING	manual
FUEL	wood logs
POSITION OF LOGS	vertical
LENGTH OF LOGS	50 cm

## WEIGHT / DIMENSIONS

WEIGHT	215 kg
Ø OF SMOKE DUCT	150/ 180 mm
Ø HOT-AIR OUTLETS	-
Ø OUTSIDE AIR INLET	100 mm

## AIR

DIRECT OUTSIDE INLET	✓
CONTROL OF PRIMARY AIR	✓
CONTROL OF SECONDARY AIR	✓
POST-COMBUSTION	✓
AIR-TIGHTNESS	+++
OPERATION WITHOUT FAN	✓
OVERHEATING INDICATOR	X

## PERFORMANCE

OUTPUT	10 kW
USAGE RANGE	5-12 kW
EFFICIENCY	81 %
CO EMISSIONS	0,05 %
FINE PARTICLE EMISSIONS	28 mg/Nm <sup>3</sup>
RANGE OF WOOD CONSUMPTION	1,4 - 3,4 kg/h
MINIMUM DRAW	12 Pa
SMOKE MASS FLOW	8,2 g/s
AVERAGE SMOKE TEMPERATURE	272 °C
CONSUMPTION OF ROOM AIR FOR COMBUSTION	22,5 m <sup>3</sup> /h
ENERGY EFFICIENCY INDEX (EEI)	108
ENERGY EFFICIENCY CLASS	A+

## MIN. THICKNESS OF INSULATION BETWEEN STOVE AND COMBUSTIBLE MATERIALS

BACK FACE	10 cm
SIDE FACE	10 cm
UPPER FACE	-
INSIDE FACE	0 cm

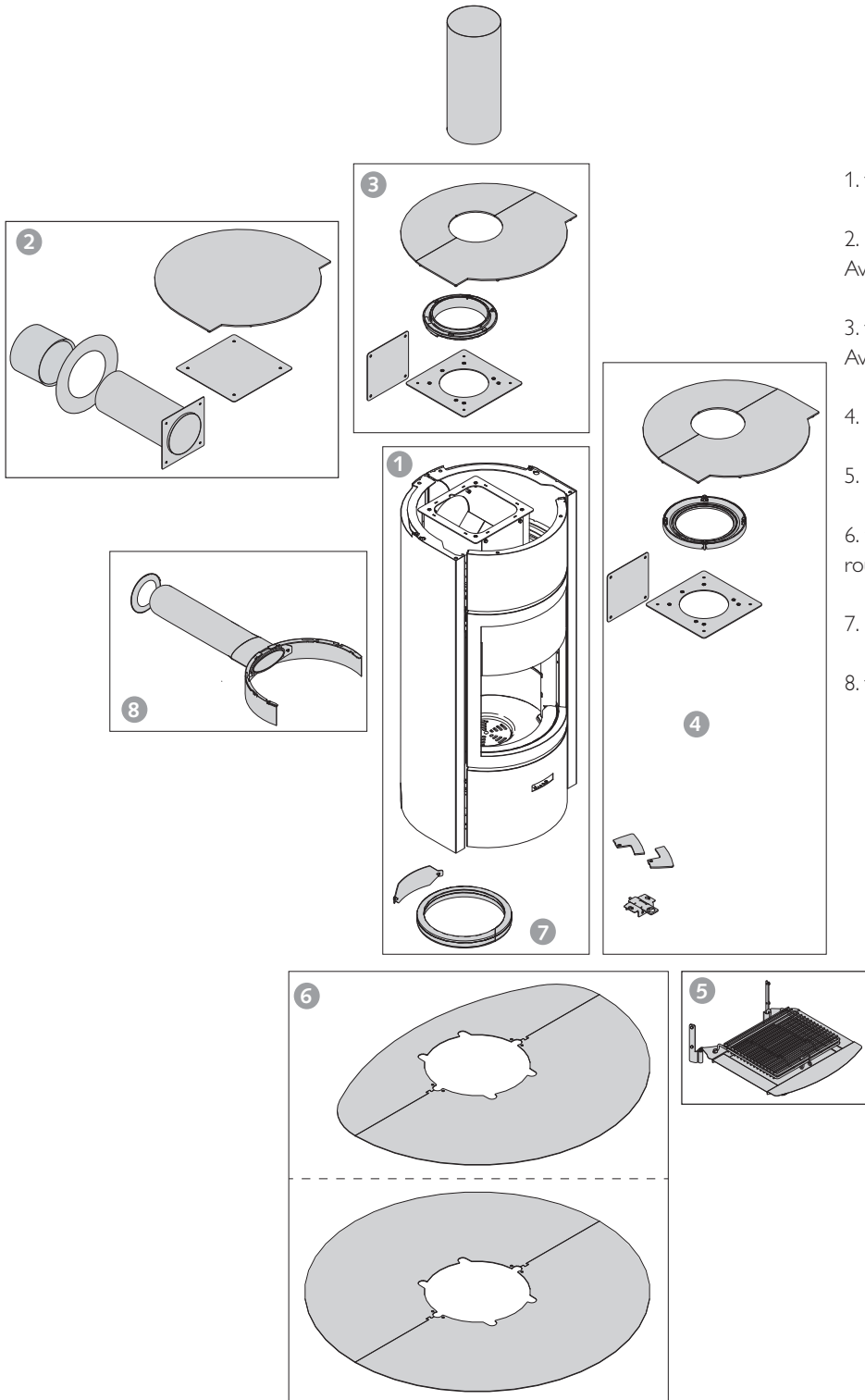
## ACCESSORIES / EQUIPMENT

ACCUMULATION	X
CUPBOARD	X
BARBECUE	○
ASH-TRAY	✓
CONVECTION	✓
FAÇADE	X
OPEN FIRE	✓
MOBILOBOX	○
GROUND PLATE	○
READY-TO-FIT	X
LOG RACK	○
ROTARY FUNCTION	○
BASE	X
FAN	X
RETRACTABLE GLASS	X

## LEGEND

✓	STANDARD
X	UNAVAILABLE
○	OPTIONAL

## THE BASIC STOVE AND ITS OPTIONAL FEATURES

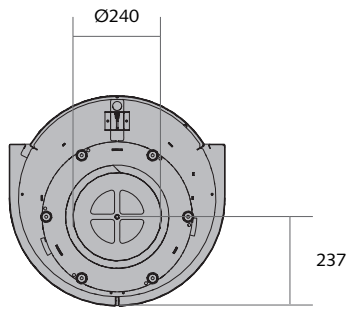


- 1. the stove
- 2. rear smoke exit kit  
Available in diameter 150 or 180mm
- 3. top smoke exit kit  
Available in diameter 150 or 180mm
- 4. rotary kit
- 5. barbecue kit
- 6. floor finishing plate (oval or round)
- 7. bottom external air supply
- 8. top external air supply

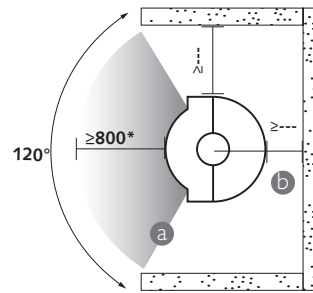
# 30 | The stove

## DIMENSIONS OF THE STOVE

VIEW FROM BEHIND

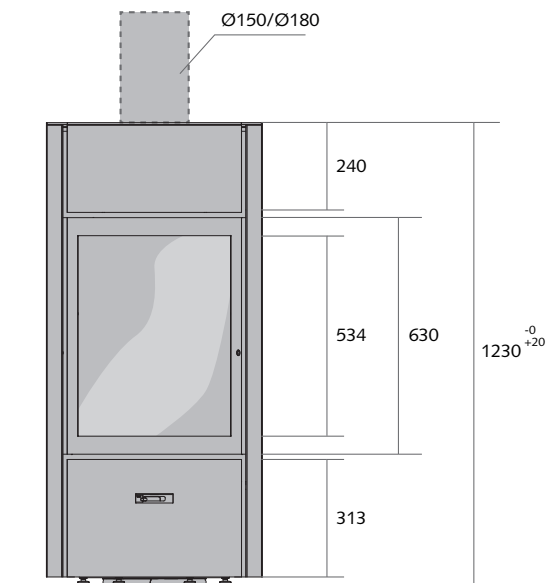


SAFETY DISTANCES

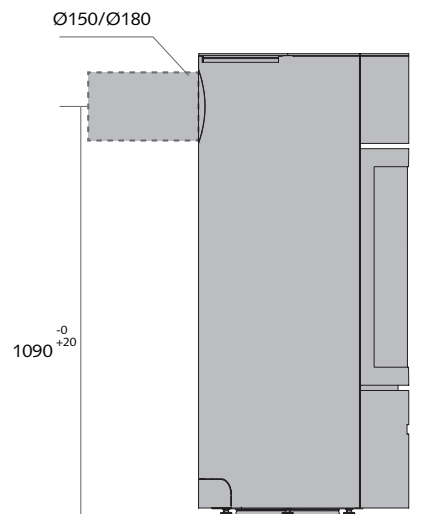


a: Heat radiated from the glass  
 b: Heat radiated from the walls  
 \*Safety distances from combustible materials.

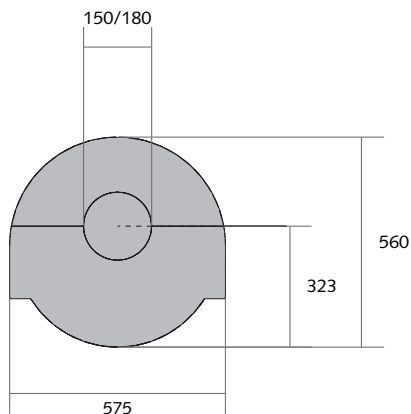
VIEW OF FRONT



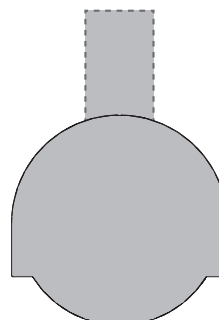
VIEW OF PROFILE



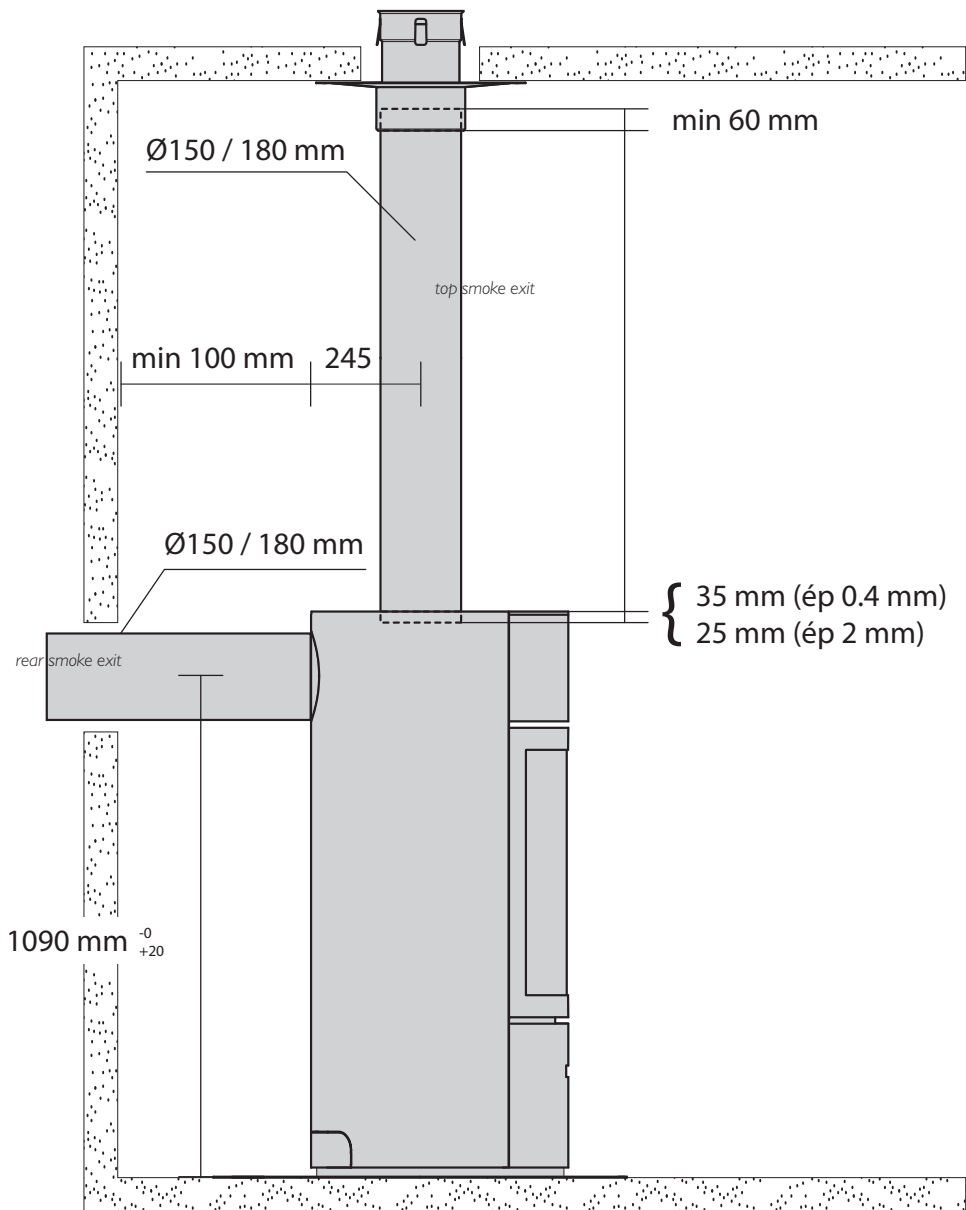
VIEW FROM ABOVE TOP SMOKE EXIT



VIEW FROM ABOVE REAR SMOKE EXIT



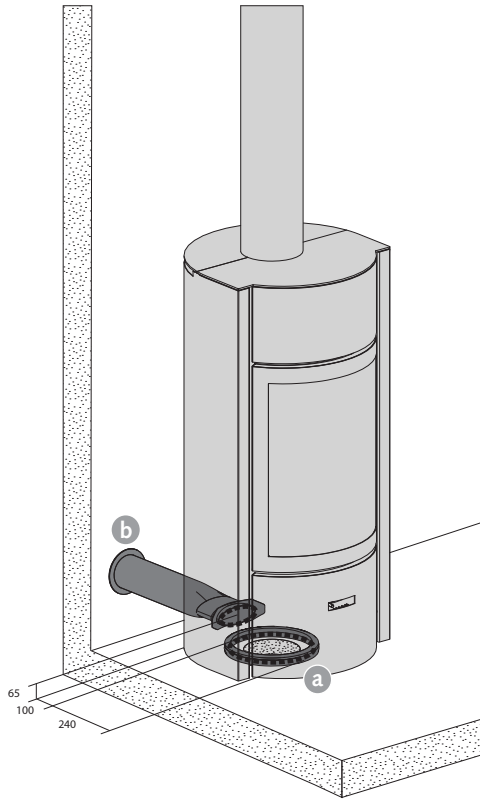
SMOKE OUTLETS



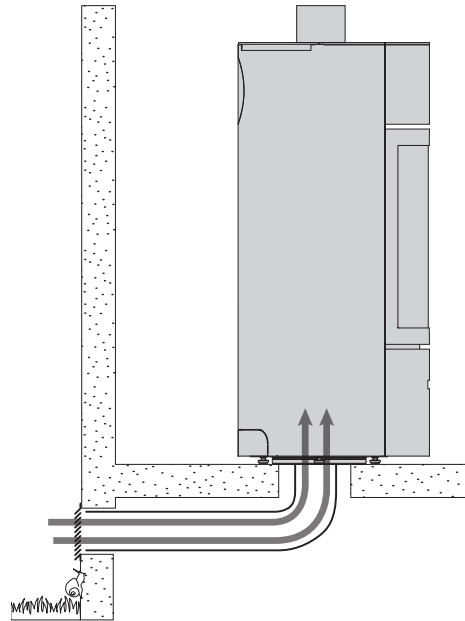
# 30 | The stove



## COMBUSTION AIR INLET

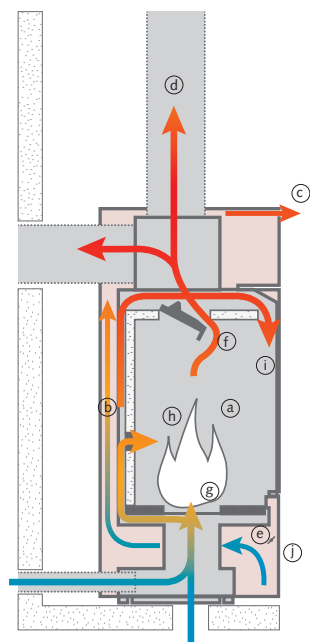


a : bottom external air supply  
b: top external air supply



bottom external air supply

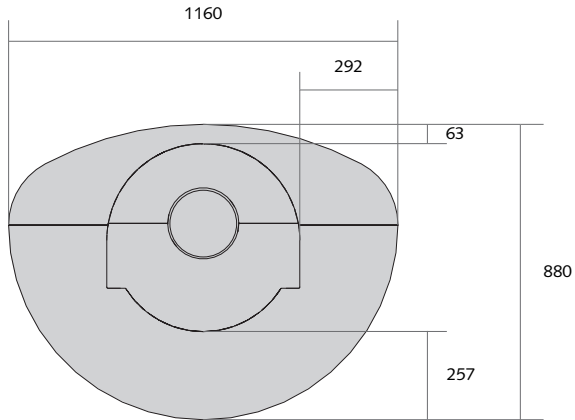
## COMBUSTION & CONVECTION AIR



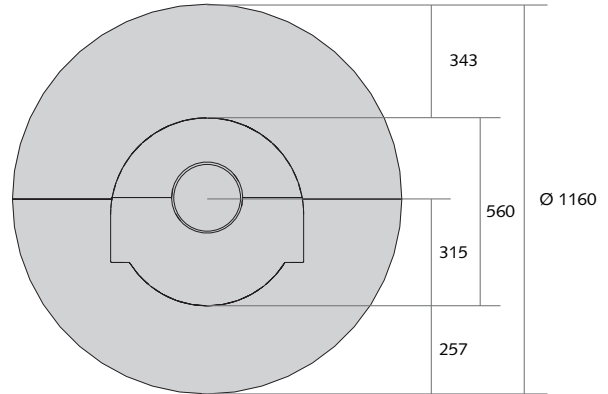
■ combustion zone  
■ convection zone

- a. combustion chamber
- b. double wall
- c. room
- d. flue
- e. regulator lever
- f. deflectors
- g. base of the flames
- h. small holes between the bricks
- i. glass
- j. control valve

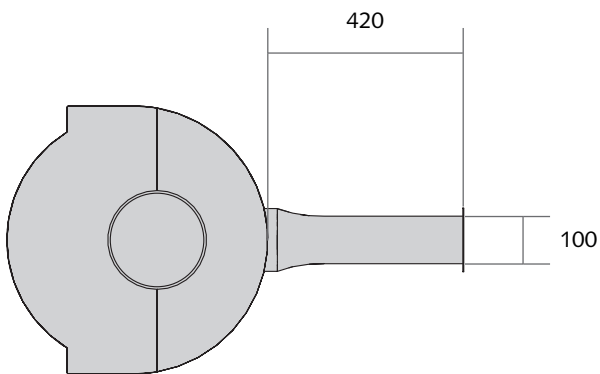
OVAL FLOOR FINISHING PLATE



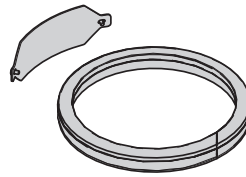
ROUND FLOOR FINISHING PLATE



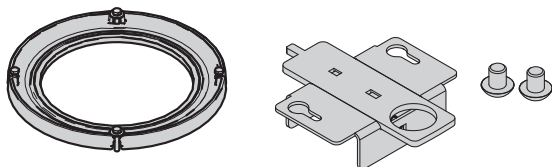
REAR OUTSIDE AIR INLET KIT



BACK OUTSIDE AIR INLET KIT



ROTARY KIT (COLLAR + LOCK)



BARBECUE

